

Performance that shows in  
**Every Flow**



## All Stainless Steel Rotary Gear Pump

MESX Series

- **Compact**
- **Efficient**
- **Reliable**
- **Easy Maintainable**
- **Easy Cleanable**

For handling corrosive, abrasive, hygienic viscous liquid for transfer, loading-unloading & pressurising applications.



### Specification

- **MOC: All parts SS 316**
- Concept: Single Helical Gear Pump
- Capacity: 8 LPM to 350 LPM
- Size: 1/4" to 2.5" BSP Screw end (9 Different Sizes)
- Shaft Seal: Mech. Seal & Gland Pack
- Pressure: Up to 10 bar
- Temp: Upto 200°C

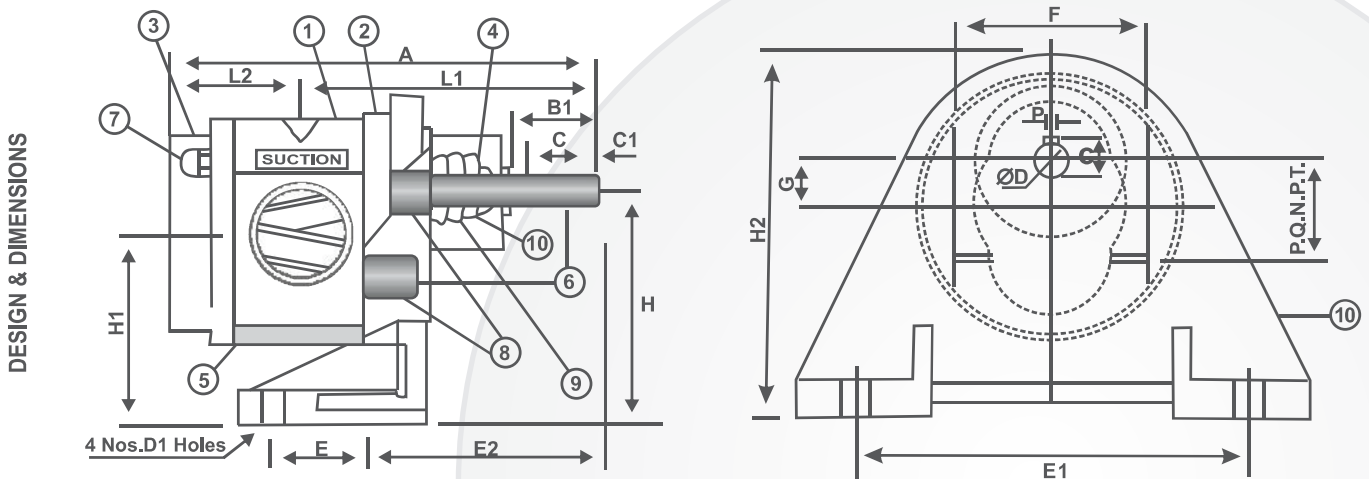
### Application

Food and Beverages industries, Food grade liquid transfer application, Pharmaceutical Industries, Chemical industries, Paint industries, Cosmetic industries, liquid like: Honey, Glucose, Liquid Sugar, Maple Syrup, Milk, Hand Wash Liquid, Adhesive & Sealant

# Capacity Chart

MODEL SIZE CAPACITY CHART & POWER FACTORS	Pump Model MESX	Port Size BSP	Capacity at 1440 RPM			Power Req.			Pump Dimensions												WT of Pump in Kg.	
						No Load		At	Overall						Mounting & Shaft							
			Viscous	Hp		A	F		H2	L1	L2	E	E1	E2	H	H1	D	C	P	Q		B1
			100 CST	400 CST	700 CST																	
015	1/8" X 1/8"	5.0	1.3	0.30	0.5	1	1.5	123	54	-	91	32	-	-	-	-	-	11.5	17	4		1.80
025	1/4" X 1/4"	8.3	2.2	0.50	0.5	1	1.5	129	12.5	101	94	35	40	120	91	63	50.5	8	3	13	25	2.00
040	3/8" X 3/8"	16.6	4.4	1.00	0.75	1.5	2	134	61	112	98	36	50	120	88	71	57	11.5	17	4	25	3.00
050	1/2" X 1/2"	25.0	6.6	1.50	0.75	1.5	2	146	14	112	103	41	50	120	88	71	57	8	3	13	25	3.50
075	3/4" X 3/4"	33.3	8.8	2.00	1	1.5	2	160	72.5	123	123	46	55	130	92	80	63	14	25	5	35	4.50
100	1" X 1"	50.0	13.2	3.00	1.5	2	3	177	17	128	115	52	55	140	87	90	73	10.5	3	16	35	5.00
125	1.25" X 1.25"	100.0	26.4	6.00	1.5	3	5	210	90	139	143	66	50	153	111	90	69	18	30	6	38	7.00
150	1.5" X 1.5"	125.0	33.0	7.50	2	3	5	225	21	149	151	73	50	153	111	100	79	12	3	20.5	38	10.50
200	2" X 2"	200.0	39.6	9.00	3	5	7.5	251	103	167	162	85	70	190	131	112	87	24	30	8	40	20.50
250	2.5" X 2.5"	300.0	65.0	18.00	5	7.5	10	298	122	197	206	93	85	200	161	132	102	28	40	8	50	35.00

## Design & Dimensions



## Silent Feature

"Maruti" Gear Pump type "MESX" is all stainless steel ss-316 self priming bi-directional positive displacement rotary pump, fitted with teflon coated dry running "DU" bush bearing. Three piece design makes the pump easy cleanable, easy maintainable simply by removing four dom nuts on back cover. Mechanical seal is optional for teflon gland packing. The mounting bracket converts the pump to foot mounting & facilitates to align the pump with electric motor of appropriate ratings on base plate at same frame height.



PART STANDARD MOC					
Sr. No.	Part	M.O.C.	Sr. No.	Part	M.O.C.
(1)	Main Body	SS 316	(6)	Shaft	SS 316
(2)	Front Cover	SS 316	(7)	Fasteners	SS 316
(3)	Back Cover	SS 316	(8)	Bush	Teflon Coated D U Bush
(4)	Seal Cover	SS 316	(9)	Gland	FDA Approved Gland Pack
(5)	Gasket	PTFE - Teflon	(10)	Bracket	C.I

\* Available with C-Type Bracket also to fit with servo drive.

## ShriMaruti Precision Engineering Pvt. Ltd.

A/7, Mahadev Estate, Part-3, Nr. Ramol Police Station, CTM-Ramol Road, Ahmedabad-382 449, Gujarat-India.

+91 87583 29666 | info@marutipump.com

www.marutipump.com