



Since 1981

**MARUTI**

HIGH PRECISION. HIGH QUALITY

## All Stainless Steel Rotary Gear Pump



Type  
**MESX**

**Compact • Efficient • Reliable**  
**Easy Maintainable • Easy Cleanable**

For handling Corrosive,abrasive,hygienic viscous liquid  
for transfer, loading-unloading & pressurising applications.

Performance That Shows in every flow

[www.marutipump.com](http://www.marutipump.com)

# A PROVEN CONCEPT FOR PUMPING VISCOUS LIQUID



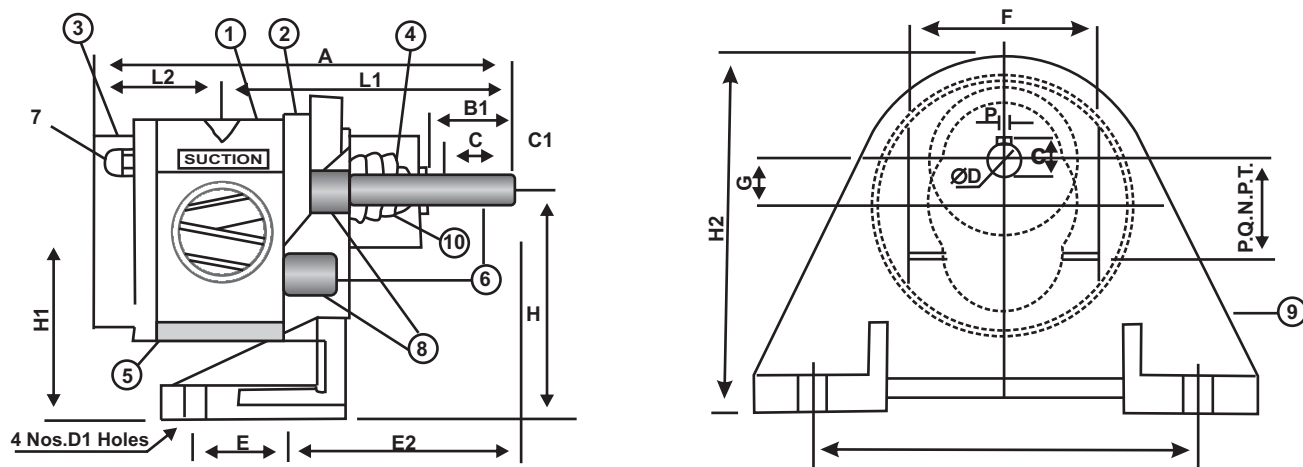
## SILENT FEATURE:

“Maruti” Gear Pump type “MESX” is all stainless steel ss-316 self priming bi-directional positive displacement rotary pump, fitted with teflon coated dry running ‘DU’ bush bearings. Three piece design makes the pump easy cleanable, easy maintainable simply by removing four dom nuts on back cover. Mechanical seal is optional for teflon gland packing. The mounting bracket converts the pump to foot mounting & facilitates to align the pump with electric motor of appropriate ratings on base plate at same frame height.

## MOC :

- (1) Pump Body (2) Front Cover (3) Back Cover (4) Seal Cover - ss 316-CF8M, (5) R.H. & L.H. Gear (6) Rotor/Stator Shaft (7) Dom nuts, Stud & Key - ss AISI 316, (8) Bearings -Teflon Coated ‘DU’ (9) Bracket - CI/CS (10) Sealing & Packing - Teflon

DESIGN & DIMENSIONS



MODEL SIZE CAPACITY CHART & POWER FACTORS

PUMP MODEL MESX	PORT SIZE NPT	CAPACITY AT 1440 RPM			POWER REQ			UNIT HP. PER KG. PRESS	PUMP DIMENSIONS														WT OF PUMP IN KG.	
					NO LOAD VISCIOUS HP				OVERALL				MOUNTING & SHAFT											
					200 CST	500 CST	750 CST		A	F	H2	L1	L2	E	E1	E2	H	H1	D D1	C C1	P Q	B1		
015	1/8" X 1/8"	5.0	1.3	0.30	0.14	0.18	0.30	0.015	123	54	-	91	32	-	-	-	-	-	-	11.5	17	4		1.80
025	1/4" X 1/4"	8.3	2.2	0.50	0.20	0.25	0.35	0.02	129	12.5	101	94	35	40	120	91	63	50.5	8	3	13	25	2.00	
040	3/8" X 3/8"	16.6	4.4	1.00	0.35	0.40	0.55	0.04	134	61	112	98	36	50	120	88	71	57	11.5	17	4	25	3.00	
050	1/2" X 1/2"	25.0	6.6	1.50	0.40	0.50	0.70	0.06	146	14	112	103	41	50	120	88	71	57	8	3	13	25	3.50	
075	3/4" X 3/4"	33.3	8.8	2.00	0.45	0.55	0.90	0.085	160	72.5	123	123	46	55	130	92	80	63	14	25	5	35	4.50	
100	1" X 1"	50.0	13.2	3.00	0.50	0.60	1.00	0.13	177	17	128	115	52	55	140	87	90	73	10.5	3	16	35	5.00	
125	1 1/4" X 1 1/4"	100.0	26.4	6.00	0.65	0.85	1.25	0.28	210	90	139	143	66	50	153	111	90	69	18	30	6	38	7.00	
150	1 1/2" X 1 1/2"	125.0	33.0	7.50	0.75	0.95	1.50	0.35	225	21	149	151	73	50	153	111	100	79	12	3	20.5	38	10.50	
200		150.0	39.6	9.00	0.90	1.15	1.75	0.45	251	103	167	162	85	70	190	131	112	87	24	30	8	40	20.50	
200	2" X 2"	200.0	52.8	12.00	1.00	1.25	2.15	0.60	281	25	167	179	97	70	190	131	112	87	14	5	27	40	24.00	
250		300.0	65.0	18.00	1.40	1.65	2.50	0.77	298	122	197	206	93	85	200	161	132	102	28	40	8	50	35.00	
250	2 1/2" X 2 1/2"	350.0	80.0	21.00	1.60	1.85	2.85	0.90	319	30	197	218	101	85	200	161	132	102	16	5	32	50	40.00	

## SPECIAL NOTES :

Power requirement at duty point can be worked out by multiplying the duty point pressure with unit hp. & adding no Load viscous Power of appropriate viscosity to this. Safety margin may be provided before fixing the rating of the pri-mover. For higher viscosity further margin may be kept or the manufacturer may be consulted. All sizes of “MESX” pumps are designed to run at 1440 RPM up to viscosity of 500 CST. however small size pump up to 1” can be run at 1440 RPM safely, even at higher viscosity up to 100 CST but with additional horse power, for higher sizes reduce the speed to 960 RPM. For viscosity above 1000 CST. speed is require further to avoid cavitation & over loading consult our expert.

## USES :

This compact & efficient SS pumps finds different application for handling food products like Ghee, Butter Fruit Pulp, Vegetable souce, kanji etc. They are also used in Pharmaceutical application for handling sugar solution, Glycerine, Glycol etc. Corrosive viscous chemicals applicatio can also be met with this pump most effectively.



Red. Office / Works

Maruti Engineering Works,  
A/7-Mahadev Estate, Part-3

Nr. Ramol Police Station, Ramol, CTM-Ramol Road,

Ahmedabad-382 449, Gujarat, India (Ph.) 079 - 25854244 (M) 09825842966

web : www.marutipump.com, E-mail : info@marutipump.com