



Since 1981

MARUTI

HIGH PRECISION . HIGH QUALITY

Rotary Gear Pump



FEATURES

- Single Helical Gear Concept
- Hardened & Ground Shafts
- Capacity upto 500 LPM
- Max working pressure 10 Kg/cm²
- Temperature upto 250°C
- Higher Aesthetic Value

EVERY PURPOSE ROTARY GEAR PUMPS

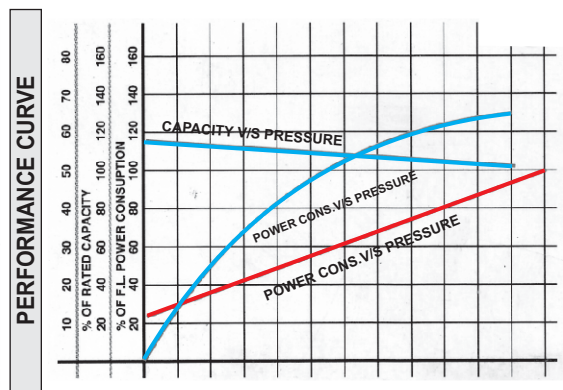
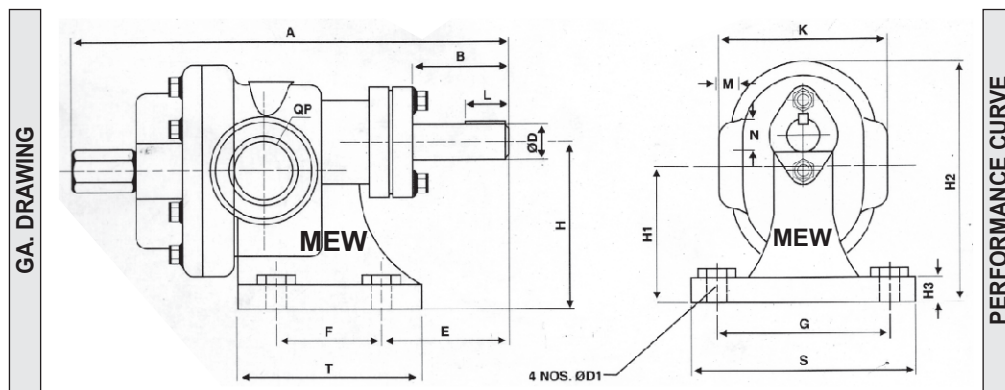


SILENT FEATURE:

“Maruti” Brand Rotary Gear Pumps are prepared by graded cast iron in economic range which is easy to maintain.

All “Maruti” Gear Pumps are designed and assembled with closed clearance to avoid internal losses, thus it consumes less power and operates at higher efficiencies.

APPROXIMATE	PUMP MODLE	INLET OUTLET SIZE BSP	CAPACITY AT 1440 RPM			POWER COSIMPTION IIN BHP AT DTFFERENTAL PRESSURE OF KG.CM2 WITH 1500 SSU VISCOSITY										WEIGHT OF BARE SHAFT PUMP IN KG.
			LPM	US GPM	M3/hr	'X' 1	2	3	4	5	6	7	8	9	10	
	ME-050	1/2" X 1/2"	20	5.3	1.2	0.50					0.75					2.20
ME-075	3/4" X 3/4"	30	7.92	1.8	0.50				0.75			1.0			4.30	
ME-100	1" X 1"	50	13.5	3.0	0.5		0.75		1.0		1.50			5.20		
ME-125	1 1/4" X 1 1/4"	75	19.8	4.5	1.0		1.50			2.0			3	8.30		
ME-150	1 1/2" X 1 1/2"	110	29	6.6	1.5		2.0		3.0			5.0			9.80	
ME-200	2" X 2"	225	59.4	13.5	3.0			5.0			7.5			17.5		
ME-250	2 1/2" X 2 1/2"	350	92.5	21.0	5.0		7.5		10			12.5			35.4	
ME-300	3" X 3"	500	131.6	30	10.0		12.0		15.0			20.0			54.0	



DIMENSION (IN MM)	MODEL	A	B	E	F	G	S	T	H	H1	H2	H3	L	M	N	OD	Od1	K	QP
	ME-050	162	38	51	40	70	90	70	63	50	90	6	22	4	13.5	12	8	70	1/2" BSP
	ME-075	216	44.5	63.5	45	85	110	80	80	66	115	8	25	5	16	14	10	80	3/4" BSP
	ME-100	234	55	64.5	50	93	120	95	90	73	128	8	27	5	19	17	10	90	1" BSP
	ME-125	261	60	65	60	105	140	11	100	79	140	10	32	6	22.5	20	12	100	1 1/4" BSP
	ME-150	268	65	80	70	115	150	130	110	88	155	12	35	6	24.5	22	12	108	1 1/2" BSP
	ME-200	360	84	92	100	140	180	160	132	105	192	15	40	8	28	25	15	142	2 BSP
	ME-250	414	97	110	120	155	200	185	145	114	215	18	45	8	31	28	17	160	2 1/2" BSP
	ME-300	450	108	120	140	180	235	205	160	235	235	20	50	8	33	30	17	170	3" BSP

SPECIAL FEATURES:

Single Helical Gears, Hardened & Ground Shafts, Self lubricated Sintered bronze Bush/Bearing, Effective Built in pressure Relief Valve. Low Noise, High efficiency, Reliable by Low Cost.

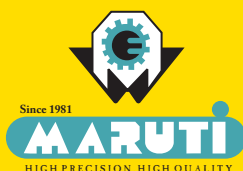
APPLICATION :

“MARUTI” Rotary Gear Pumps are usefull handing all types of viscous liquids, All kinds of sugar-molasses and Syrups, Printing inks, Paints & Varnish, Vegetable Oils, Fuel oil, Useful in power plants, potteries, refineries and storage.

All dimensions are in millimeters, Unless otherwise stated, Specifications are subject to without prior notice as improvements are made from time to time.

SR.NO.	PART	MAC	VISCOSITY	SPEED	CAPACITY
1	CASHING	IS 210 GR Fg280 CI GRADE	UP TO 500 CST	1500 RPM	100%
2	R.V.COVER	IS 210 GR Fg280 CI GRADE	500 - 1500 CST	1000 RPM	66 %
3	GLADE COVER	IS 210 GR Fg280 CI GRADE	1500 -5000 CST	750 RPM	50 %
4	SHAFTS	SAE 8620	5000- 15000 CST	500 RPM	33 %
5	GEARS	EN-8	15000 - 30000 CST	380 RPM	25 %
6	SEALING	OIL SEAL	30000 - 50000 CST	300 RPM	20 %
7	BEARING	BRONZE BUSH BEARING	50000 - 100000 CST	200 RPM	13 %
8	PLUG	BRASS	100000 - 200000 CST	150 RPM	10 %
9	PLUG CAPS	ALLUMINIUM			

A AVAILBLE IN 8 SIZE :- Capacity From 20 LPM to 500 LPM / Maximum Working Pressure 10kg/cm², Temperature - upto 250'C, Viscosity 100000 CST.



Red.Office / Works

Maruti Engineering Works,
A/7-Mahadev Estate, Part-3

Nr.Ramol Police Station, Ramol,CTM-Ramol Road,

Ahmedabad-382 449, Gujarat,India (Ph.) 079 - 25854244 (M) 09825842966

web : www.marutipump.com, E-mail : info@marutipump.com